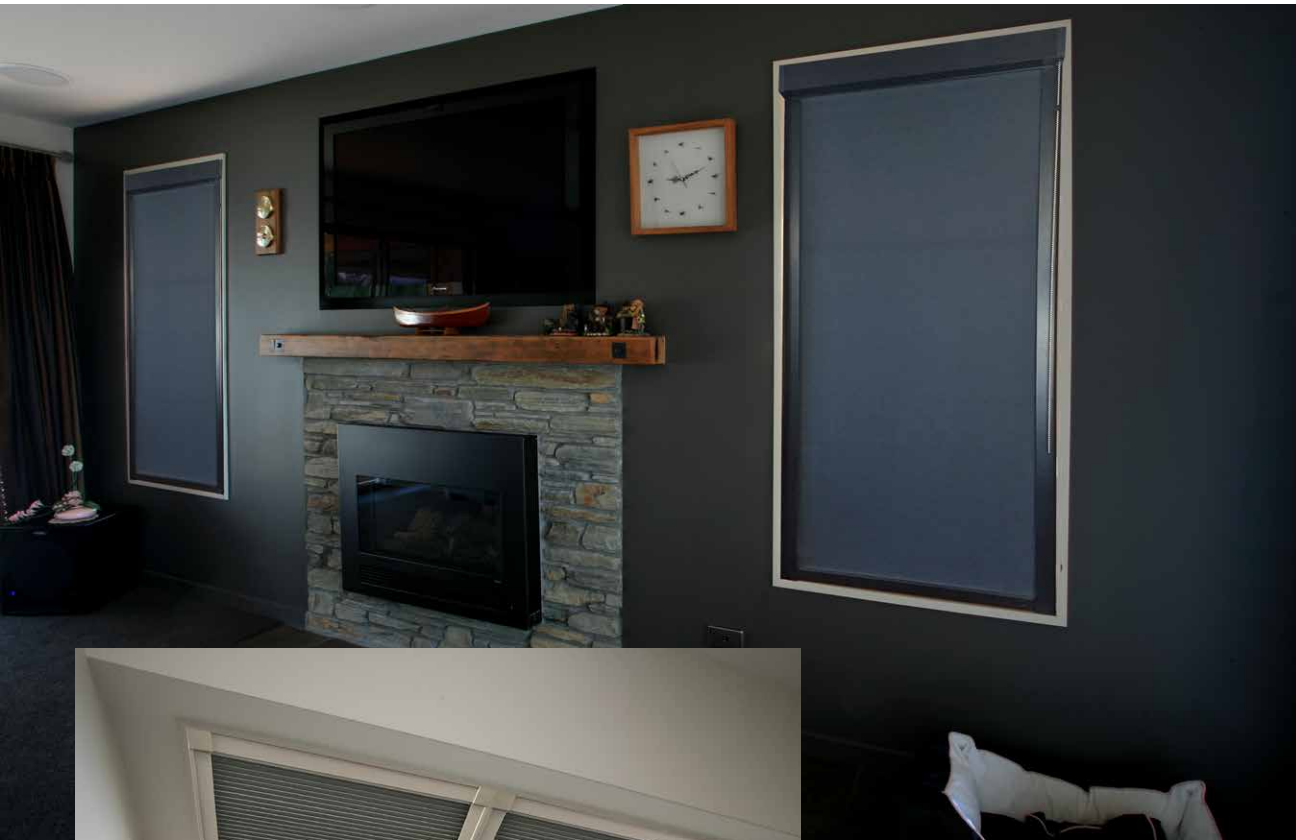




**Blocco**



**Above: Blocco Roller Blind**  
**Left: Blocco Honeycomb Blind**

# SPECIFICATIONS

Sec. : Blocco  
Date : Aug 2017



# SPECIFICATIONS

Sec. : Blocco  
Date: Aug 2017

# Blocco Roller System - Overview



## Blocco Roller System



### Product Overview

Brand new to our stable of products is our Blocco Roller System. For the first time in New Zealand we can now offer this exclusive Blocco blind system. To achieve maximum light reduction, Blocco incorporates a fully enclosed cassette with side channels and bottom rail with a brush strip, all designed to minimise\* light entering the room. The system is refined, compact and aesthetically pleasing and can be operated manually by a control chain or motorised with remote control or via a building management system.

**\* In cases where windows are not 100% plumb or square our technicians will apply coloured or white gap filler to the side channels to help reduce light intrusion.**



### Applications

Blocco Roller system is the perfect solution when maximum light reduction is required in commercial environments such as schools, hotels, hospitals and residential applications such as home theatre rooms and bedrooms.

### Key Features

- Maximum light reduction design
- Full enclosed cassette and side channels
- Funnel side guides with brush which encapsulate fabric
- Chain (manual) control or motorised control with remote or wall switch
- Brush under bottom rail to limit light intrusion
- The maximum\* width for a single cassette can be up to 3000mm and maximum\* drop up to 3000mm (\*subject to fabric chosen). Note: total area (width x drop) can not exceed 6.5m<sup>2</sup>

### Operation

- Manual - The control chain is supplied with either a plastic beaded chain (white or black) or nickel plated steel chain. Both options are looped inside a Control Chain Weight. The plastic beaded chain contains no risk of corrosion and runs more quietly when blind is raised or lowered.  
Note: 1) If Chain-Stops are fitted to the chain to provide upper and lower limits, the chain length will be approximately the same as the window height.  
2) If Chain-Stops are fitted to the chain as well as Control Chain Weights, the overall length of the chain and weight will be approximately 200mm longer than the window height.
- Motorisation - Can be automated via Somfy's range of Sonesse motors. Somfy's wide range of control options includes hand held radio remote control, timers and weather sensors. Window Treatments NZ Ltd is an Authorised Somfy Automation Expert.

### Finish

The Blocco aluminium cassette profile, side channels and bottom rail are available in black, white or anodised. Optional powder coated colours are available on request.

### Fixing

Top Fit (inside window frame) or Face Fit (outside window frame).

Please note: Finished manufactured sizes are as follows:

- For an Top Fit (inside window frame), the finished width and finished drop will be 4mm less overall than the "wood to wood" measurements. For example an Inside Fit Blocco Roller blind W1000mm x D1500 (wood to wood), will be manufactured to a finished size of W996 x D1496.



- For an Face Fit (outside window frame), the finished width and finished drop manufactured will be exactly the same as the measurements provided with no deductions. Example a Blocco Roller blind W1000mm x D1500 (wood to wood) will be manufactured to a finished size of W1000 x D1500.

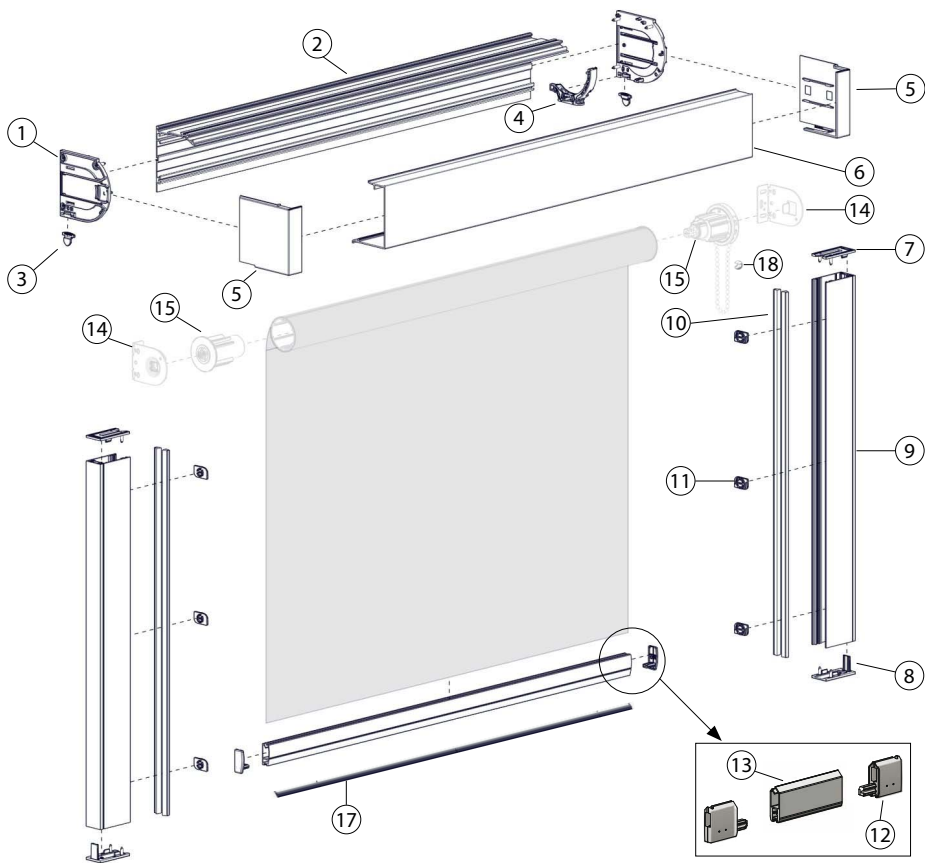
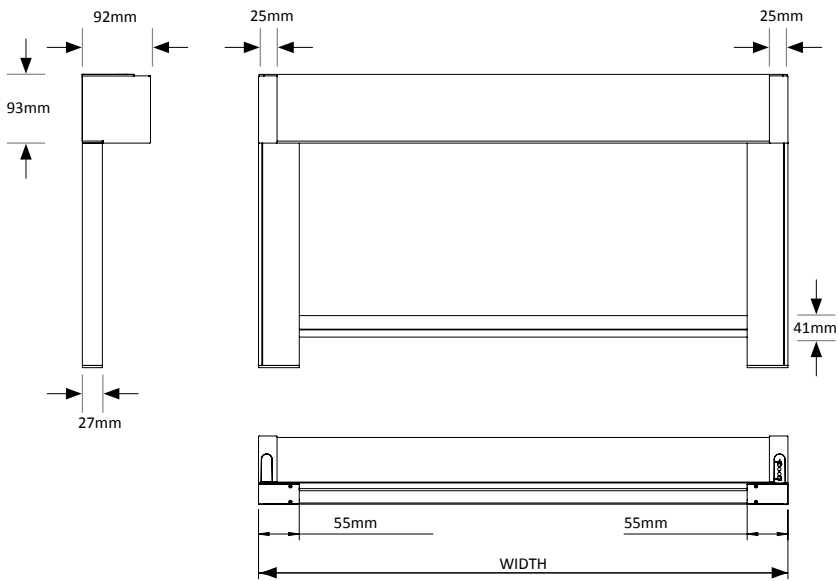
SPECIFICATIONS

Sec. : Blocco  
Date : Aug 2017

# Blocco Roller System - Single Unit

SPECIFICATIONS

## Blocco Single Unit - Technical Data



### Key Numbers and Description

- |                          |                          |
|--------------------------|--------------------------|
| 1. End Plates            | 11. Side Guide Lock      |
| 2. Rear Cassette         | 12. Bottom Rail Cap      |
| 3. Side Guide Ear        | 13. Bottom Rail          |
| 4. Chain Guide           | 14. Installation Bracket |
| 5. Cassette End Cap      | 15. Control and Idler    |
| 6. Front Cassette        | 16. Tube                 |
| 7. Side Guide Funnel     | 17. Bottom Rail Brush    |
| 8. Side Guide Bottom Cap | 18. Chain Stop           |
| 9. Side Guide (2 piece)  |                          |
| 10. Side Guide Brush     |                          |

Sec. : Blocco  
Date: Aug 2017

**Note:** \* In cases where windows are not 100% plumb or square our technicians will apply coloured or white gap filler to the side channels to help reduce light intrusion.

# Introduction to Fabric



## Introduction to Fabric

### Fabric Overview:

The Window Treatments range of Blocco roller blind fabrics offers endless opportunities when used in commercial or domestic internal applications. We have various fabrics which comprise of intelligent energy saving screen fabrics, ecologically friendly, fire retardant, PVC free, mould and mildew resistant, light filtering to block-out fabrics.

### Sunscreen:

Sunscreen fabrics can achieve significant reductions in the demand for air conditioning, reducing electricity consumption and greenhouse gas emissions. The Techno Screen range is very cost effective and works well in both commercial and domestic situations. Techno Screen is dimensionally stable and comes in a wide range of colours in 5%, 3% and 1% openness. Tech S2 (non-metalized backing), Alu-Tech S2 (metalized backing), Enviroshade (non-metalized backing), and Enviroshade Aluminium (non-metalized backing) are mostly used in commercial settings where a higher performance level is required in terms of heat, glare and fire retardancy. All of these fabrics are produced in Europe in a wide range of colours with most available ex our Christchurch factory and all fabrics are PVC free. These Screen ranges are also fire retardant.

### Light-filtering Fabrics:

Our light-filtering fabrics provide more privacy than screen fabrics but still allow you to enjoy ambient light. The lighter the fabric colour the more ambient light you will achieve in the room. 100% polyester and acrylic coated, the Serengetti and Filtra ranges are also PVC Free.

### Block-out Fabrics:

We carry an extensive range of block-out fabrics, some with a textured finish and others with foam or white flocked acrylic backing. These fabrics are ideally suited for computer rooms, offices, home theatre and bedrooms as they prevent glare and provide complete block-out when required. Most of our block-out fabrics are PVC free and all are resistant to mould and fungi, making block-out blinds ideal for installations in areas of high humidity and moisture.

Type	Name	Composition	Fire Retardant	Openness
<b>SUNSCREEN</b>				
	Techno 5000	30% Polyester, 70% PVC	Yes	5%
	Techno 3000W	30% Polyester, 70% PVC	Yes	3%
	Techno 3000	30% Polyester, 70% PVC	Yes	3%
	Techno 1000	30% Polyester, 70% PVC	Yes	1%
	Techno Glass	33% Fibreglass, 67% PVC	Yes	5%
	Tech S2	100% Polyester, (PVC Free)	Yes	3%
	Alu-Tech S2	100% Polyester, (PVC Free)	Yes	3%
	Enviroshade	100% Trevira-CS (PVC Free)	Yes	4-6%
	Enviroshade Aluminium	100% Trevira-CS (PVC Free)	Yes	4-6%
<b>LIGHT-FILTERING</b>				
	Riviera	100% Polyester	No	N/A
	Serengetti	100% Polyester PVC Free	No	N/A
	Filtra	100% Polyester PVC Free	No	N/A
	Parnell	100% Polyester	Yes	N/A
<b>BLOCKOUT</b>				
	Riviera	100% Polyester	No	N/A
	Serengetti	100% Polyester, PVC Free	No	N/A
	Valencia	100% Polyester, Acrylic Coated, PVC Free	No	N/A
	Valencia Premium FR	100% Polyester, Acrylic Coated, PVC Free	Yes	N/A
	Oxford	100% Polyester, Acrylic Coated, PVC Free	No	N/A
	Oxford Premium FR	100% Polyester, Acrylic Coated, PVC Free	Yes	N/A
	Firenze	100% Polyester, Acrylic Coated PVC Free	No	N/A
	Balmoral	100% Polyester, Acrylic Coated PVC Free	Yes	N/A

Sec. : Blocco  
Date : Aug 2017

# Blocco Honeycomb - Overview

SPECIFICATIONS

## Product Overview

Blocco honeycomb blinds offer excellent insulation, an attractive combination of high fashion, good value, easy installation and convenient operation. Simply styled and designed, Honeycomb blinds are an economical option in soft window coverings. Choose from a selection of decorative block-out or light-filtering fabrics.

Whilst the Blocco Honeycomb Blind uses the same honeycomb fabric as pleated blinds, the Blocco hardware system is radically different to that of the more conventional honeycomb pleated blinds. The design of the hardware system differs because Blocco Honeycomb Blinds are often installed in roof or ceiling spaces where access and control of the blinds is very limited.

In the motorised option the raising and lowering of the blind is achieved with a rotating spool within the headrail which in turn is driven by a 12v or 24v internal motor. The Blocco Honeycomb hardware system incorporates an entirely different raising and lowering design due to the fact that the blind must function normally irrespective of the angle the blind is installed at.

In addition to the unique functionality of the Blocco Honeycomb system the blind also incorporates a full four-sided channel frame which provides a light stop on both sides of the blind. This feature is particularly useful where total room darkening is required but also provides a very neat and tidy finish to the blind.

The raising and lowering of the blind is made possible with a looped belt drive inside both side channels which are simultaneously driven by the motor located in the headrail. The manual control option is visually identical to the motorised version. It has the same four-sided channel frame with a looped belt drive inside both side channels. The only difference to the motorised version is that the raising and lowering of the blind is carried out by connecting an extension pole onto the bottom rail. Due to the unique hardware design of the Blocco Honeycomb Blind, the blind can be installed at any angle whether it's perpendicular/vertical, horizontal or inclined making it the most versatile blind on the market.

**Control Options:** Motorisation: 12v Dooya & 24v Somfy Motor options with control by remote or wall mounted switch.

Manual: Control by a push/pull pole with automatic braking at any position.

### Aluminium side channels, head and bottom rail colours:

White, Ivory, Chinchilla, Silver Pearl, Bronze, Federal Blue, Indigo & Black.

**Nylon frame corner:** White

**Installation:** Top fit or face fit mounting through the side channels or top and bottom rails. Light gaps are filled with gap sealer to prevent light intrusion. Blinds can be butted together to enable coverage of wide openings.

Please note: Finished manufactured sizes are as follows –

- For an Top Fit (inside window frame) , the finished width and finished drop will be 4mm less overall than the “wood to wood” measurements. For example an Inside Fit Blocco Honeycomb blind W1000mm x D1500 (wood to wood), will be manufactured to a finished size of W996 x D1496.
- For an Face Fit (outside window frame), the finished width and finished drop manufactured will be exactly the same as the measurements provided with no deductions. Example a Blocco Honeycomb blind W1000mm x D1500 (wood to wood) will be manufactured to a finished size of W1000 x D1500.



# Blocco Honeycomb Blind

## - Motorisation & Manual Control



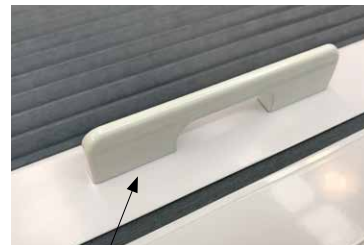
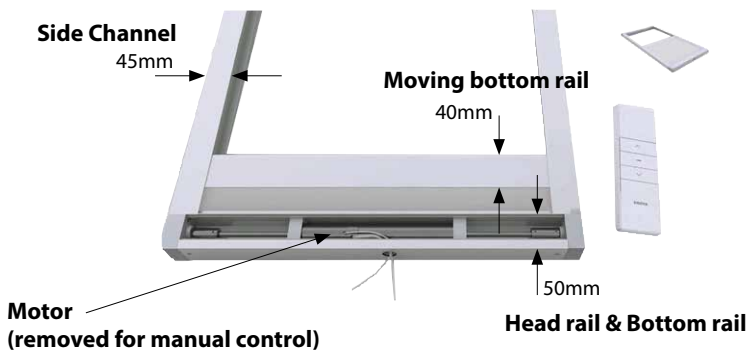
**Multi Blind Installation**



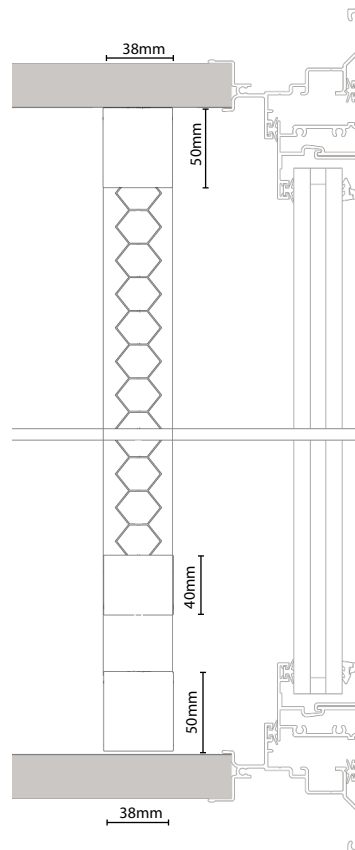
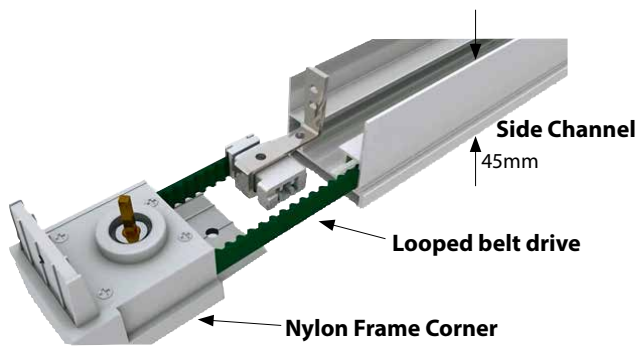
**Skylight honeycomb  
- fully retracted**



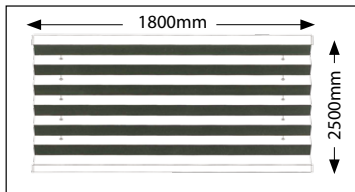
**Mountings inside channel**



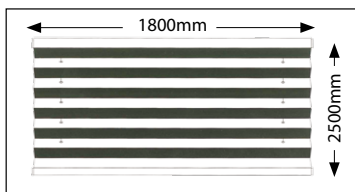
**Handle for manual control**



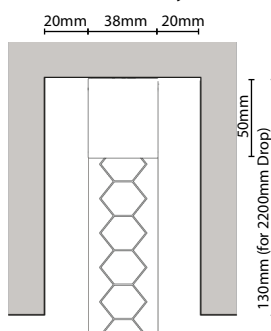
**Maximum Size Guidelines for Block-out Fabric**



**Maximum Size Guidelines for Sun Filtering**



**Recess Measurements:  
(side fit only)**



SPECIFICATIONS

Sec. : Blocco  
Date : Aug 2017

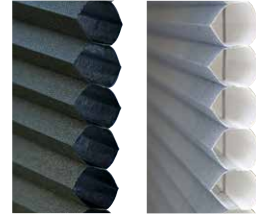


# Blocco Honeycomb - Fabric Specification

SPECIFICATIONS

## Fabrics

Most of our light-filtering and block-out fabrics are Oeko-Tex Standard 100. A wide range of pleated blind fabrics are available including; standard pleated 20mm block-out fabrics, to the more popular Honeycomb 25mm block-out and light-filtering fabrics, therefore allowing varying degrees of heat and light control. Two of the main advantages using Honeycomb 25mm fabrics is the cord runs though the centre of the layers and is not visible at all, whereas with the standard 20mm pleat the cords are visible. Secondly, both block-out and light-filtering honeycomb fabrics have far superior heat retention.



The Montreal and Sonata range of light filtering fabrics create a soft focus in a stylish contemporary colour range. These fabrics gently filter sunlight, prevent UV damage and provide a flattering ambient light. Our block-out honeycomb fabrics which are 100% polyester non woven are perfect for controlling light and offer complete privacy. If you prefer some natural light and still retain your heat our light-filtering honeycomb fabrics would provide a perfect solution.

## Sonata Block-out and Light Filtering Overview

The Sonata block-out Honeycomb range consists of 2 layers of fabric with a foil lined white backing. The deliberately chosen white rear ensures a uniform appearance to the outside and provides a high degree of light reflectivity. Both the inside and the outside have a subtle textile character. The foil core gives the fabric extra stability, a plus point with the extreme heat that often occurs with skylights. If you prefer some natural light and still retain your heat our Sonata light-filtering honeycomb fabric would provide a perfect solution.

TECHNICAL DATA	Block-out	Light-filtering
COMPOSITION	100% Polyester	100% Polyester
FABRIC THICKNESS	0.16mm	0.25mm
FABRIC WEIGHT	190 gsm	204 gsm
PLEAT HEIGHT	25mm (±0.5mm)	25mm (±0.5mm)
LIGHT FASTNESS	4	4
METALLIZED	Yes	No
BLOCKOUT	Yes	No

## Montreal Honeycomb Overview

Window Treatments' Montreal block-out and light-filtering honeycomb fabrics are 100% polyester non woven. Block-out fabrics are perfect for controlling light and offer complete privacy. If you prefer some natural light and still retain your heat our Montreal light-filtering honeycomb fabric would provide a perfect solution. The Montreal range features a white rear side (the window side) with a high degree of light reflectivity. The deliberately chosen white rear ensures a uniform appearance to the outside. Most of our Honeycomb block-out and light-filtering fabrics are Oeko-Tex Standard 100. Please note: the Montreal Honeycomb fabric range is only suitable for perpendicular windows and is not recommended for skylight windows.

TECHNICAL DATA	Block-out	Light-filtering
COMPOSITION	100% Polyester Non Woven	100% Polyester Non Woven
FABRIC THICKNESS	0.19mm	0.21mm
FABRIC WEIGHT	166 gsm	138 gsm
PLEAT HEIGHT	25mm (±0.5mm)	25mm (±0.5mm)
LIGHT FASTNESS	4 - 5	4 - 5
METALLIZED	Yes	No
BLOCKOUT	Yes	No
OKO-TEX STANDARD 100	Yes	Yes

Thermal & Optical Properties	Ts	Rs	As	Tuv	Tv	Av	Rv
- Block-out	0 %	67 %	33 %	0 %	0 %	33%	67%
- Light filtering				5% - 21%	9% - 40 %	17% - 49%	41% - 49%